

Installation Manual



*Beautiful Crown Mouldings...
in a Snap!*

The easy to install Crown Moulding system
with professional results.

Thank you for purchasing the Pro-Fit Mouldings crown moulding kit.

Pro-Fit Mouldings are a revolutionary crown moulding system that makes it easy for just about anyone to install crown mouldings in their home. With just a few simple tools, you can transform any room in your home into one with timeless architectural details usually found only in custom homes.

Pro-Fit Mouldings are made from PVC with a durable smooth white finish. In addition, the material has some flexibility for walls that are not perfectly straight.

The mouldings come colored from the factory eliminating any finish work. You simply cut to rough size and snap the mouldings onto the brackets. The corner pieces snap into place over the long sections hiding any less than perfect cuts. Once in place, the job is done. No painting, puttying or finish sanding. A 12' x 12' room can be completed in about 2 hours.

Pro-Fit Mouldings...

- Install with everyday hand tools
- Require no miter cuts
- No painting or finishing needed
- Can be installed by one person
- Fool proof system hides less than perfect cuts
- Available in kits or custom lengths
- Can be removed for wallpaper or painting and reinstalled

What's in the kit

Familiarize yourself with the Pro-Fit Mouldings components as shown below. Pay special attention to the Left and Right cope. The Right cope is wider than the Left cope. A typical room may not need an outside corner, however, outside corners are available at your retailer should you need them.

12x12 Kit

8 mouldings

28 brackets

4 each of left cope, right cope and Keystone

28 Screws

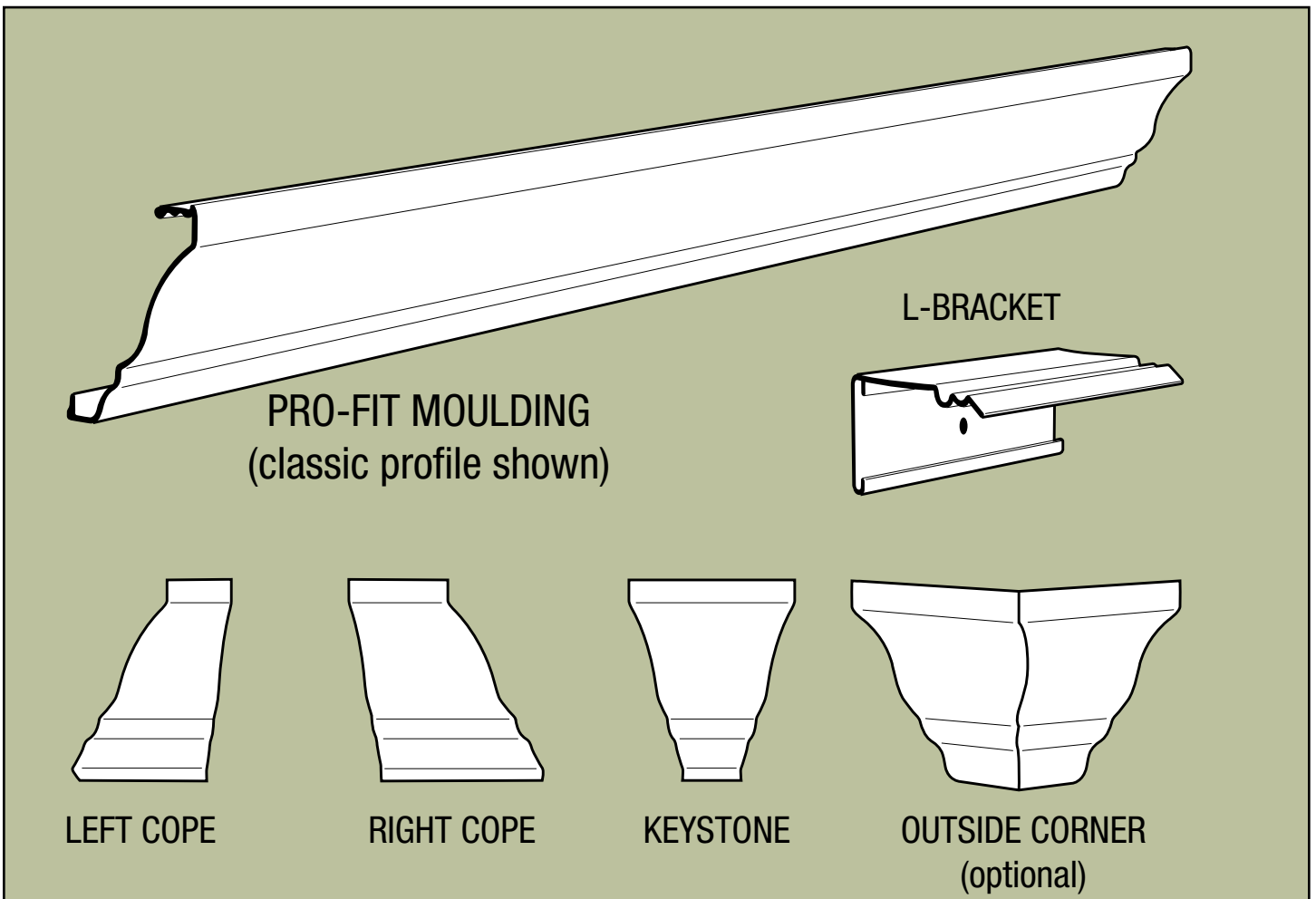
16x16 Kit

8 mouldings

36 brackets

4 each of right cope, left cope and Keystone

36 Screws

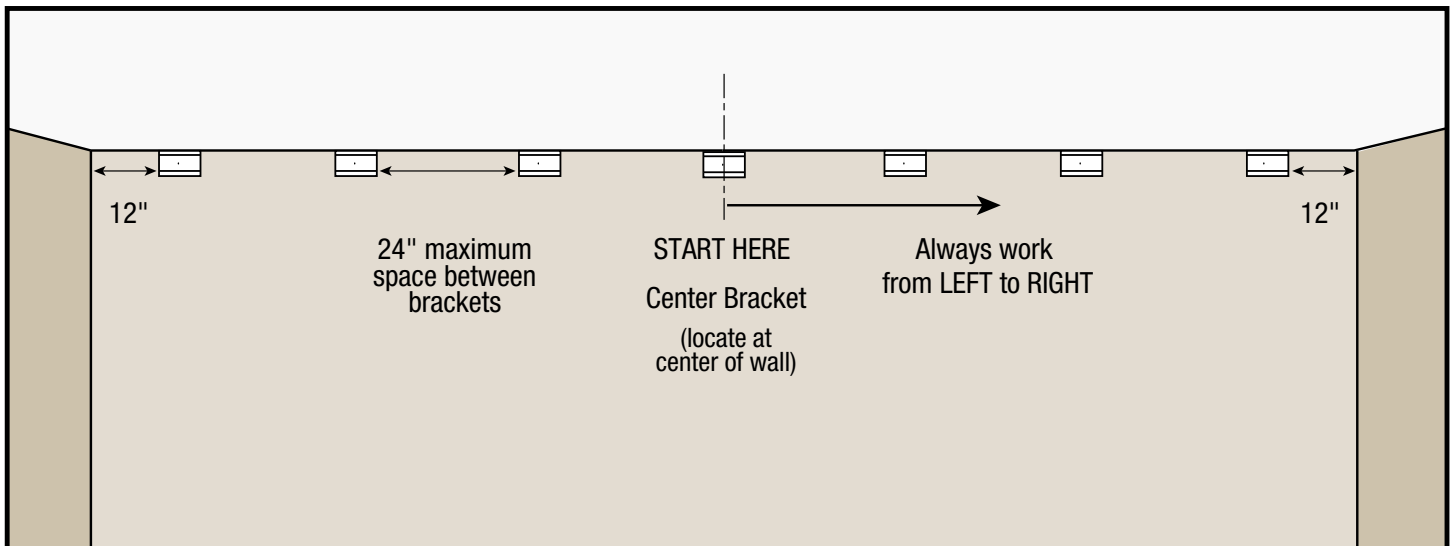


Tools.

Most common hand tools are perfectly suitable for installing Pro-Fit Mouldings. The tools needed are a tape measure, screw gun (portable works best), saw with finish blade (hand or power), miter box (optional) for straight cuts, ladder, and a table knife.

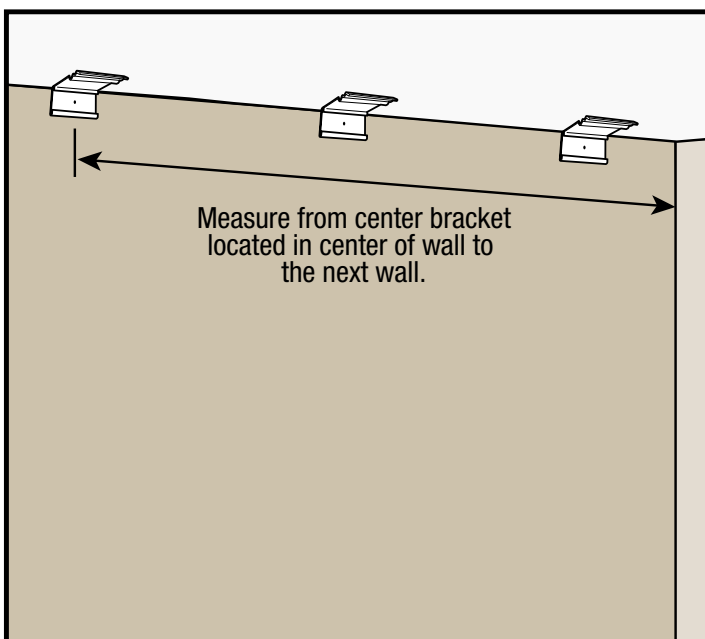
Before You Begin...

Here are a couple of tips to keep in mind. Choose a wall to start. Install a bracket in the center of that wall. Always work from "LEFT TO RIGHT". A bracket is centered in each wall.



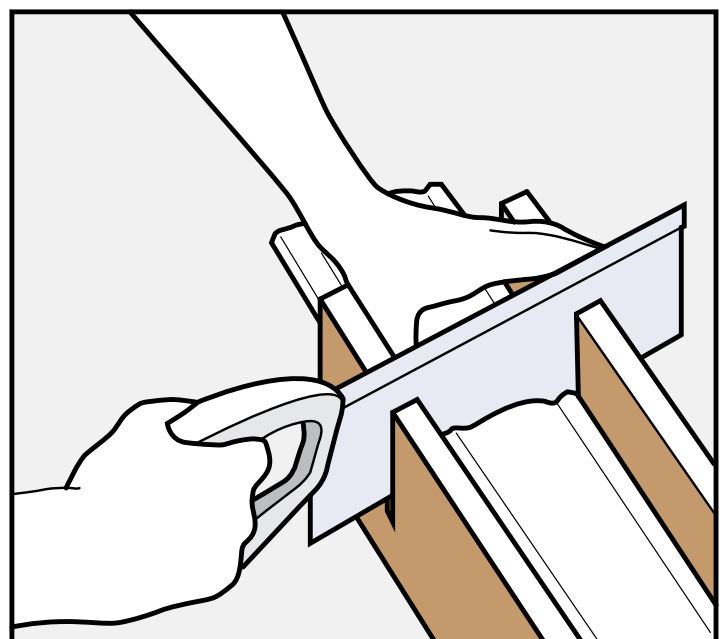
1. Installing the brackets:

The bracket pressed against the ceiling, use a screw gun and supplied screws to install. Look at drawings for locations.



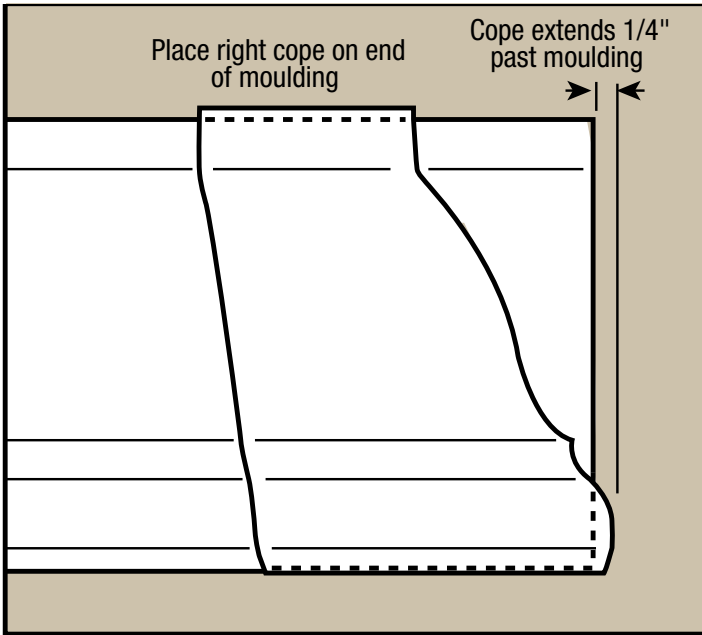
2. Measure for first moulding piece on the wall you choose to start:

Measure from the center of bracket, in the center of the wall, to the next wall (2nd wall).



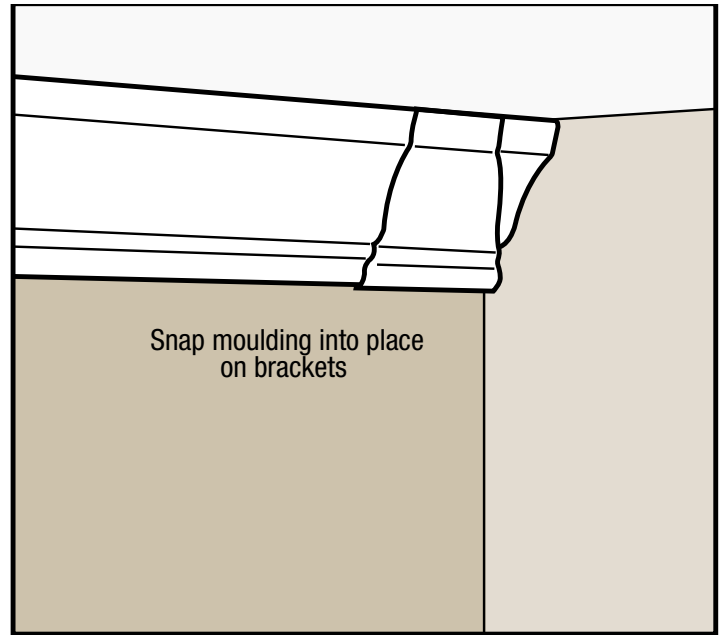
3. Cutting the first moulding piece:

Cut the first piece of moulding 1/2" short of your previous measurement in step 2. Try to make straight, clean cuts, and remove burrs with sandpaper.



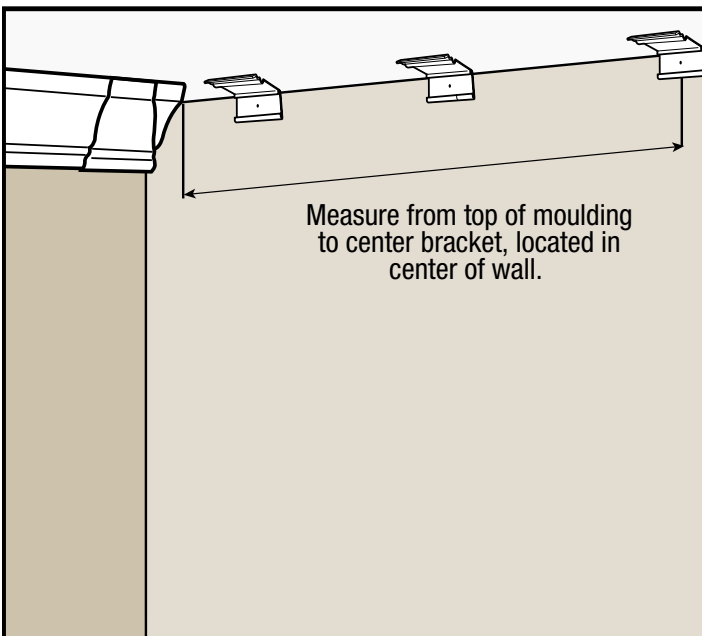
4. Position the Right cope.

Place the **Right** cope (wider cope) over the end of the moulding you just cut. The Cope should extend a minimum 1/4" beyond the edge of the moulding as shown.



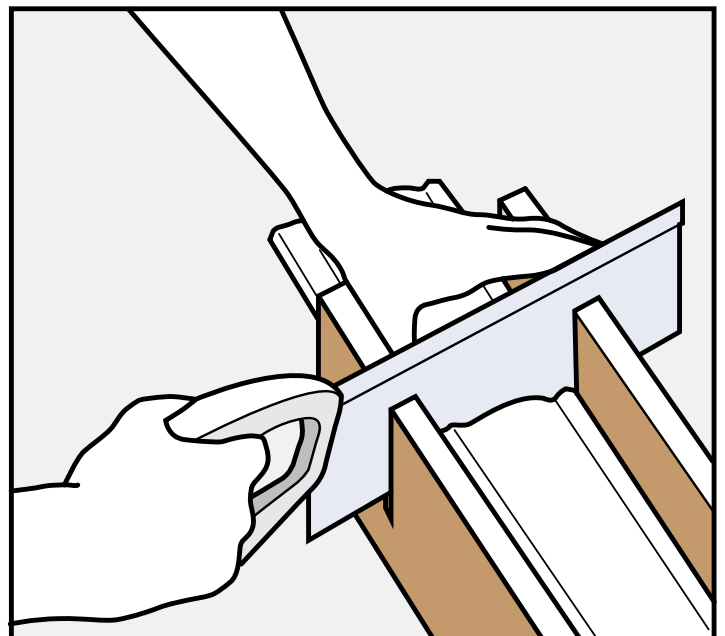
5. Snapping into place.

Position the moulding against the ceiling with the cope touching the end wall at the bottom and snap into place.



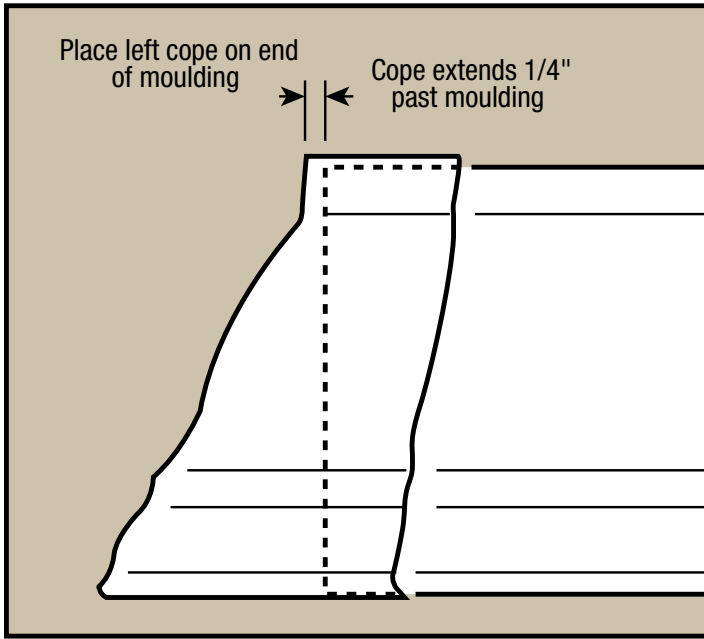
6. Measuring 1st moulding piece on second wall.

Measure from the top of the moulding on the first wall to the center of the bracket, centered on the second wall.



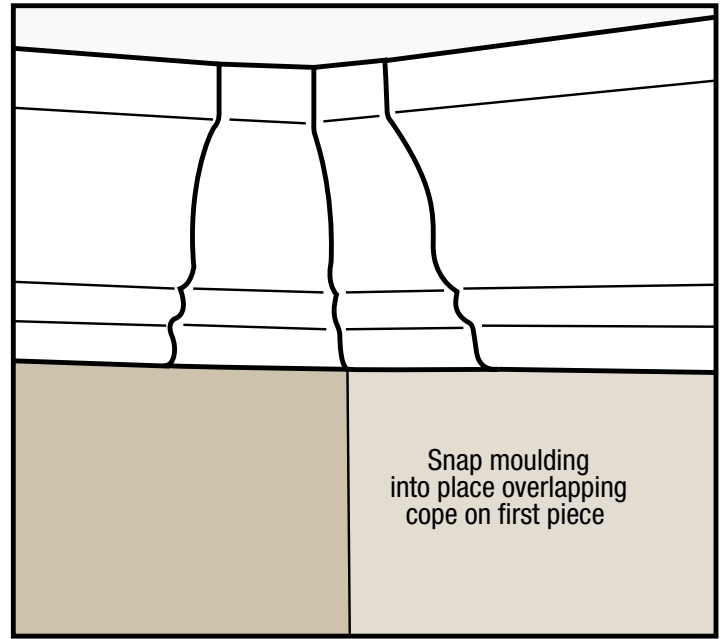
7. Cutting to fit

Cut the next piece of moulding approximately 1/2" short of the measurement in step 6. As before, use sandpaper to clean the edge of any burrs



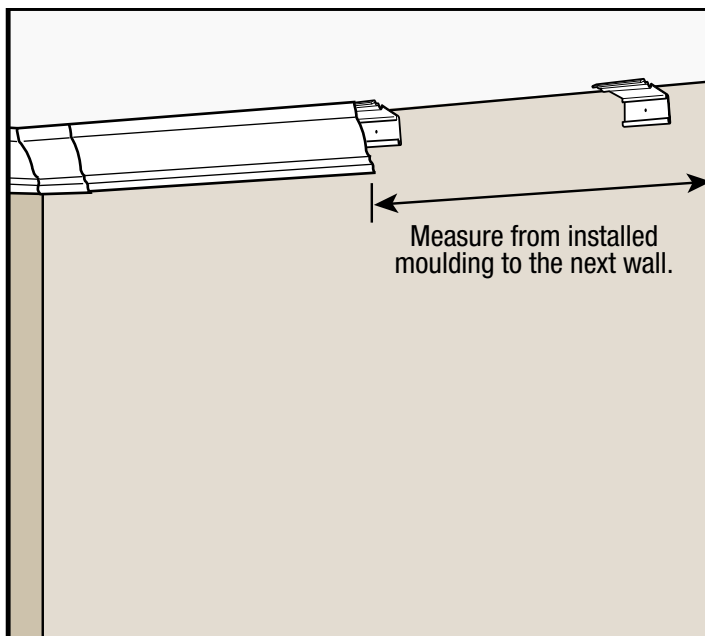
8. Position the Left Cope

Snap the **Left** cope (narrower cope) onto the moulding with a minimum 1/4" past the moulding at the top.



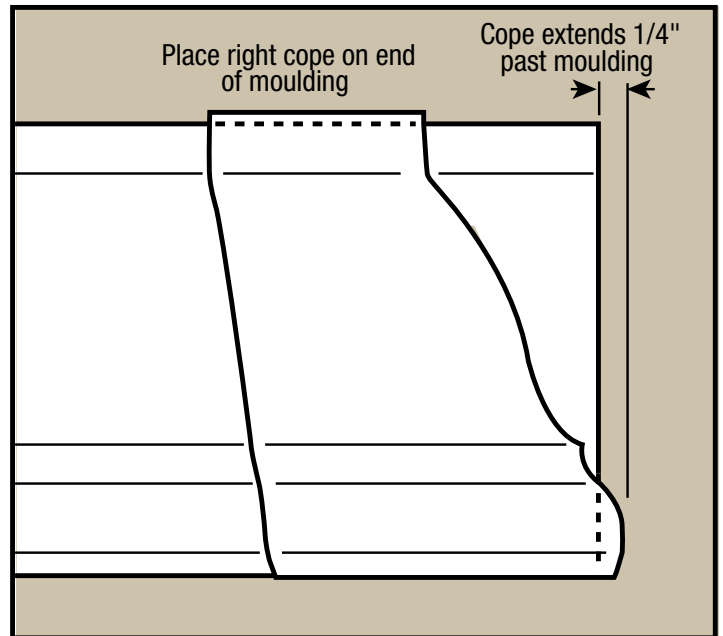
9. Snap the second moulding into place.

Place the moulding so the **Left** cope butts up to the **Right** cope in the corner. After snapping into place the copes can be adjusted for a tight fit.



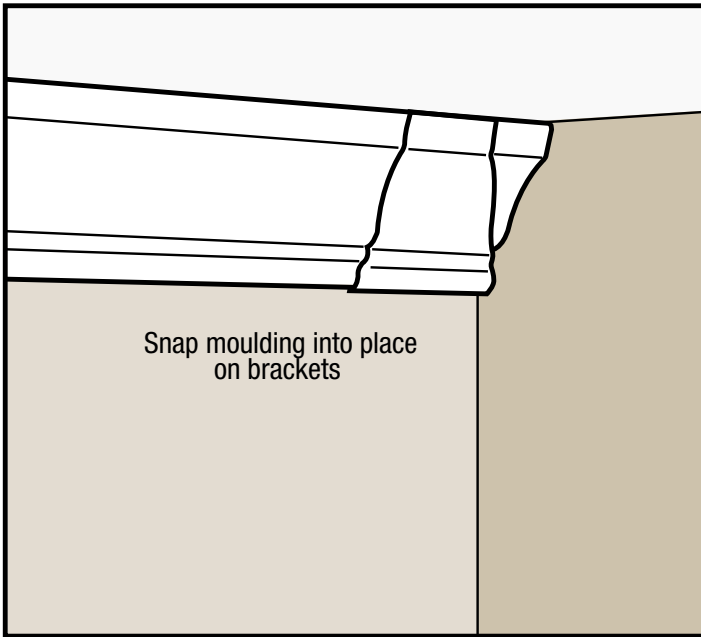
10. Measure 2nd moulding piece on second wall.

Measure from 1st moulding piece on second wall, (step 9) to the next wall (3rd wall). Cut moulding piece 1/2" short, (same as step 3.)



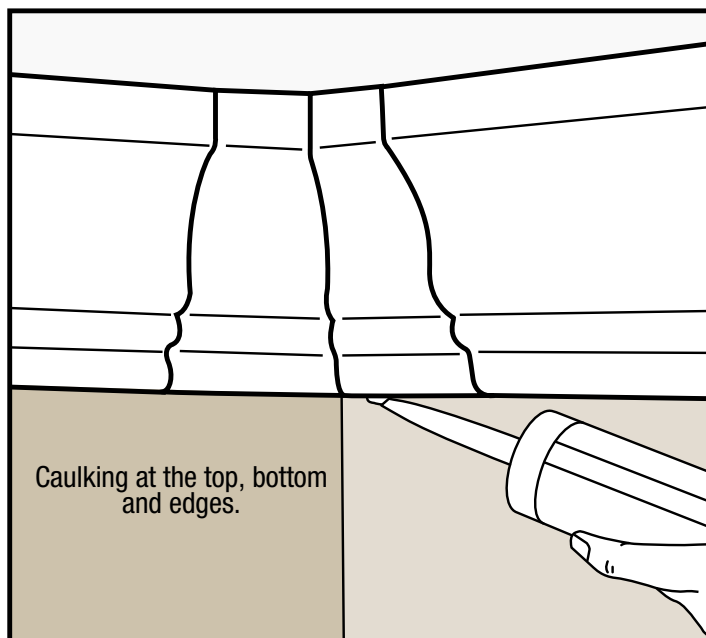
11. Position the Right cope.

Snap **Right** cope (wider cope) to the right end of moulding and extend cope 1/4" past moulding edge.



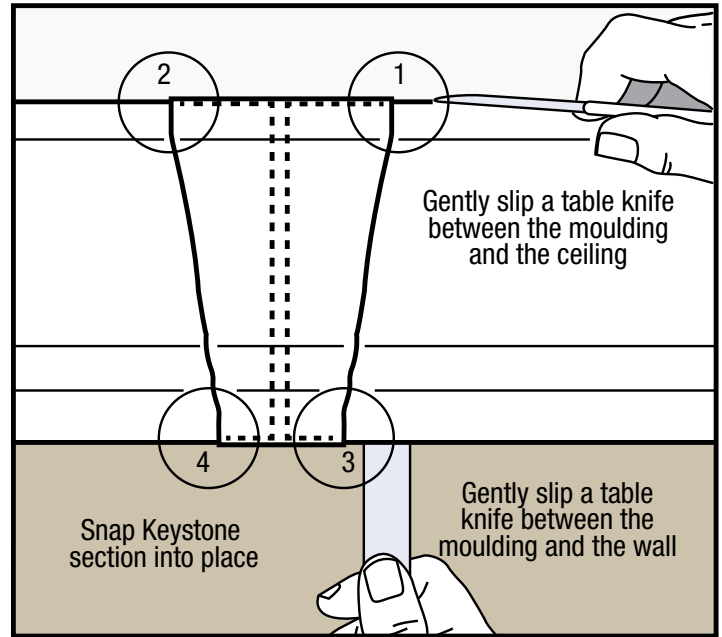
12. Snapping into place.

Position the moulding into place up against the ceiling with the cope touching the next (3rd) wall and snap into place. Continue the process on walls three and four. The last piece of moulding will be installed on the first wall. The wall you choose to start on.



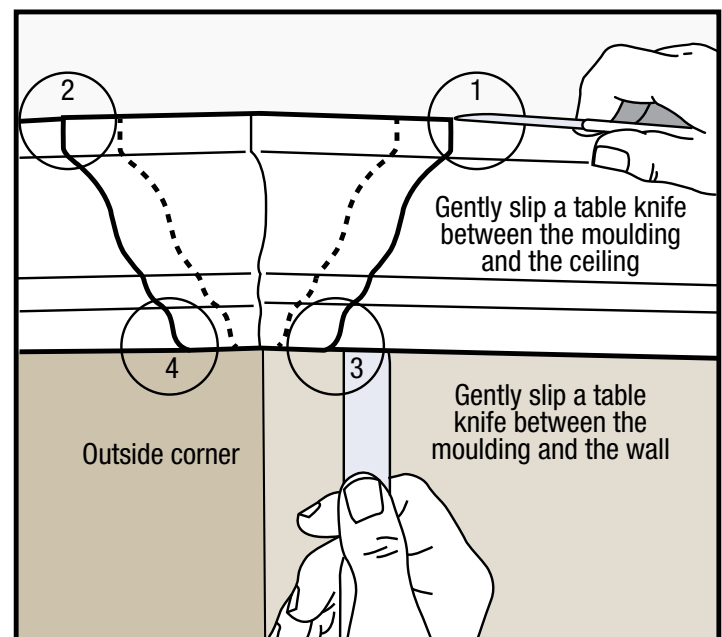
Caulking

For a finished look, we recommend caulking along the top, bottom and edges of the moulding. Also caulk where the edges join at the outside and inside corners.



13. Installing the Keystone

Where the moulding pieces come together at the center of the wall you will install the Keystone over the joint. Using a table knife between the ceiling and moulding, pry the moulding down from ceiling approximately 1/8" to 1/4" and snap top of Keystone into place. Do both sides at top. Do the same at the bottom of the Keystone prying the moulding away from the wall 1/8" to 1/4" and snap bottom onto the moulding, both sides. Continue around room using same steps as first and second walls.



Optional outside corners

Same method as for the Keystone. Do the top first, both sides, and the bottom second, both sides.



*Beautiful Crown Mouldings...
in a Snap!*

1219 Flynn Road • Suite 206 • Camarillo, California 93012
Toll Free 888.977.3926 • pro-fitmouldings.com